

STRATEGY[®] CONSOLE

ABOUT STRATEGY[®] CONSOLE

The Strategy console is the ultimate open desktop solution specifically designed for technology intensive environments such as telecommunications, transportation centres and financial trading. Its functional design lends itself to any number of control room environments and provides flexible and comfortable workspaces that allow your people to focus on critical decision-making.

The Strategy Desk design focuses on improving workplace effectiveness through innovative options and features combined with structural and aesthetic flexibility, ensuring this desktop solution can be easily relocated or reconfigured to suit your changing needs.

STRATEGY[®] CONSOLE FEATURES

Modular Configuration. Flexibility is maximised through the modularity of the Strategy solution. Consoles can easily be transformed from a single to back-to-back option, and almost any layout can be achieved through the mixing of various module lengths.

Contemporary Styling. Evans' colours, textures and finishes are carefully selected to match and / or complement existing units and control room equipment, integrating all aspects of the architectural design.

Human Factors Based Design. The standard Response system is designed to comply with accepted Human Factors of Design and applicable ergonomic standards including ANSI/BIMFA, CSA, and ISO.¹

Full or Reduced Depth Modules. Valuable floor space can be optimised. The reduced depth desk accommodates flat panel displays in a minimal footprint only 38.75" (985 mm) inches or 74" (1880 mm) for the Back to Back modules. The full depth desk, measuring 48" (1219 mm) deep, 94.5" (2400 mm) for the Back to Back, accommodates standard CRTs.

Corners. Creative design layouts are achieved with integrated corners and mitres. Operator rows can be curved for optimal sightlines to large-screen displays. Available options include: 15°, 22.5°, 30°, and 45° short corners, 15°, 22.5°, 30°, and 45° long corners, all available at Full or reduced depth.

* *Mitres are also available as an optional feature.*

¹ Not applicable to foot space and viewing distances on full depth console. Please speak to your Evans representative for details.

Rear Slatwall. Flat screen monitors and various desk accessories can be mounted on the rear slatwall. Standard slatwall heights include 6" (153 mm), 12" (305 mm), and 18" (458 mm). The slatwall design allows for equipment mounting on both sides and in a back-to-back configuration both modules share one set of slatwall.

Component Accessibility. Front and rear access doors provide high accessibility for installing, operating and servicing equipment. Front and back access is through hinged doors. Sliding and clip out doors are available as a custom option. The removable rear cover pieces create instant access into the desk cavity from above.

Equipment Mounting. Strategy Desk easily accommodates computer equipment* with a variety of optional processor shelves. Fixed or slide out shelves are available with the hinged or sliding panels. A custom option available is a roll out shelf with leg based structures.

* Note: The processor size is limited when the swing out shelf is selected with a 24", 48", or 72" module, or adjustable worksurfaces.

Wire and Cable Management. Strategy Desk provides convenient open cable chases that run uninterrupted to adjacent desks in the upper portion of the base units. Standard Option is 4" (102mm) wide. The integrated cable tray is easily accessible by removing the access panel on the worksurface. The standard finish for the monitor deck is plastic laminate.

A variety of cable management options accommodate electrical and data service. Outlets and jacks can be mounted on upper and lower termination boards.

Worksurface. The rigid Strategy Desk worksurface is designed to provide a smooth, level work area, while complying with accepted human factors criteria. All applicable ergonomic standards have been taken into consideration², including view and reach distances, keyboard height, and knee-well space. The adjustable worksurface provides further flexibility, allowing for continuously variable height positioning over a 5 in. range.

Optional manual worksurface lift mechanisms provide height adjustability to accommodate different sizes of users. These mechanisms offer smooth and efficient operation through a 5 in. (126 mm) adjustment range from 2½ in. (63 mm) below to 2 ½ (63 mm) above the standard 28 ½ in (724 mm) worksurface height.

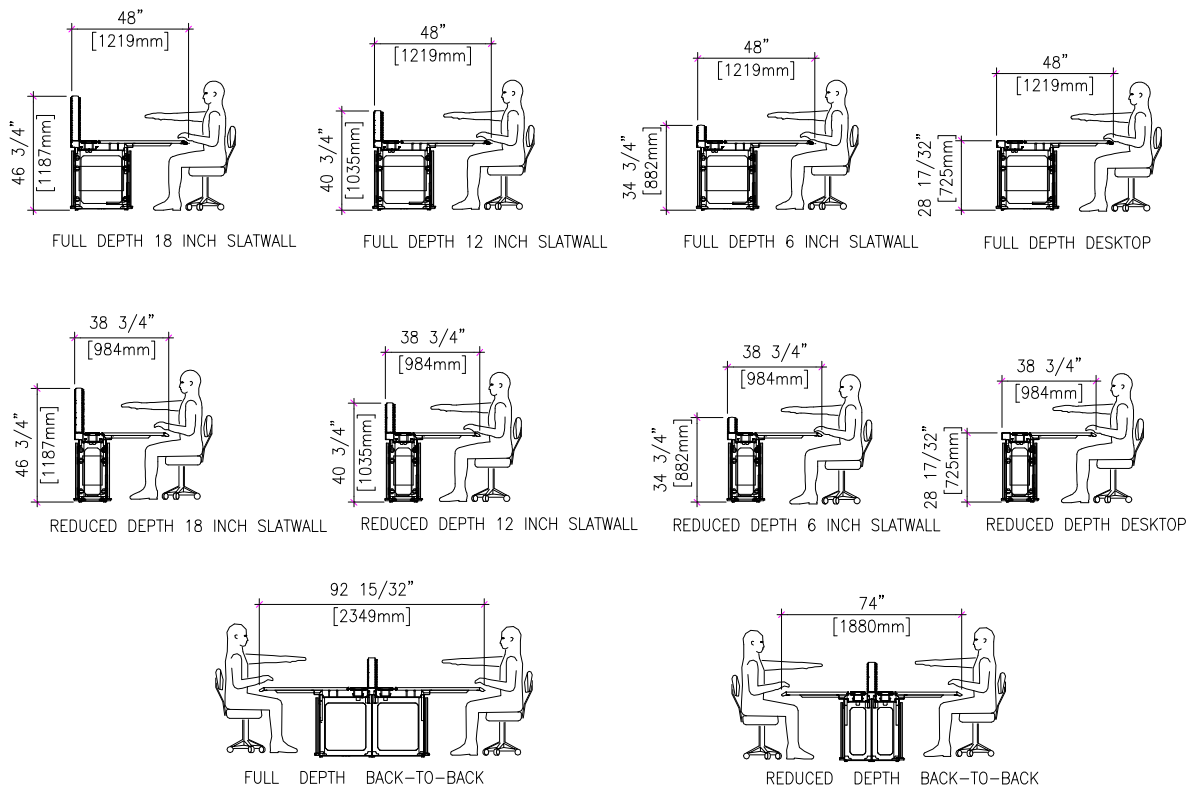
Flexible Module Lengths. The modular structural system supports a full range of layouts and control room configurations. Future expansion or reconfiguration is simplified, as modules are easily added or relocated where required. Standard unit widths available are 26" (661 mm), 30" (762 mm), 48" (1220 mm), 60" (1524 mm), and 72" (1829 mm). An optional feature length of 24" (610 mm)³ is also available.

Both the fixed and adjustable worksurfaces comply with US Federal Government ADA accessibility regulations⁴.

² 5th percentile North American Female to 95th percentile North American Male.

³ 24 and 26 inch widths are not recommended for single standing units for ergonomic reasons. Please speak to your Evans representative for details.

⁴ The Americans with Disabilities Act states that the surface height may be no more than 34 " and no less than 28" between the floor and the underside of the worksurface.



STRATEGY® CONSOLE MATERIAL SPECIFICATION

1.0 Console Structure

Extrusions. Strategy Desk uses a patented portal-style frame and rear stringer constructed with thick-wall custom aluminium extrusions. The painted extrusion design allows for unparalleled flexibility in the ability to customise or reconfigure the unit.

- Lower track: 6063-T54 aluminium alloy
Yield strength – 30 Ksi
Ultimate Strength – 33 Ksi

Sheet Metal Parts. All sheet metal used for structural components is cold rolled steel. These components ensure square, rigid connection of the front portal to the rear frame assembly, module-to-module connections at corner positions, and attachment of front, rear and end panels. Sheet metal parts are produced on CNC machines to ensure precision.

- Legs 12 Gauge Cold rolled steel, powder coated
- Rear Door Columns 14 Gauge Cold rolled steel, powder coated
- Corner modules 12 Gauge Cold rolled steel, powder coated
- Front and Rear stringers 12 Gauge Cold rolled steel, powder coated

Metal Finishes. Module Extrusions have their natural aluminium finish. All sheet metal parts are finished with a durable, black, electrostatic powder coating.

2.0 Internal Components and Attachment

- Support Foot 12 Gauge Cold rolled steel, powder coated
- Worksurface support arm High Speed Steel tube 2 x 1 x 0.125, powder coated
- Worksurface support stiffener High Speed Steel tube 2 x 1 x 0.100, powder coated
- Fixed processor shelf 16 Gauge Cold rolled steel, powder coated
- Door mounted processor shelf 14 Gauge Cold rolled steel, powder coated
- Internal termination boards ¾" (19 mm) Melamine Laminate

Processor Shelf

- Fixed Shelf – 200 lbs. (90 Kg) load, 14 gauge CRS, Powder coated black
- Door mounted shelf – 100 lbs. (45 Kg) load, 14 gauge CRS, Powder coated black
- Slide out shelf – 100 lbs. (45 Kg) load, 16 gauge CRS, Powder coated black

3.0 Worksurfaces and Panels

Worksurfaces

- Materials: 1" (25mm) particleboard, high-pressure laminate surface
- Finish Horizontal grade laminate.
- Static Load 50-lb./ linear ft.
(MAXIMUM 250 lb. Per surface on Adjustable Worksurfaces)
- Surface to Floor Distance Fixed 28 ½ in (724 mm)
27 ½ in (692 mm) clearance
- Adjustable Worksurface Adjustable 26–31 in (660 to 787 mm) customizable
DriveManual = hideaway hand crank

Panels

For the Strategy Desk Evans offers hinged panels as a standard for front and back. Sliding and clipped panels are available as options. Hinged panels will hinge from the column. Custom panels available include rear-sliding panels and clipped panels. Evans standard is a low pressures laminate surface. Custom options include High-pressure laminate or Veneer.

- End Panels: 1 in Thermofused Melamine Laminate (LPL).
- Lower/Intermediate Panels ¾ in Thermofused Melamine Laminate (LPL).

Sliding Doors

- 14 gauge sheet steel. Powder coated black, with ventilation holes.

4.0 Rounded Polyurethane Worksurface Nosing (*waterfall nosing, Optional*)

Evans has developed an extremely durable, highly flexible nosing that allows inside and outside curves.

- Cast polyurethane foam secured over an aluminium extrusion carrier.
- Comfortable and ergonomically sound
- Allows curved sections with a 14" (356 mm) radius
- Edge slope and radius spreads the weight over a larger surface. Enhancing end user comfort.

5.0 Electrical Devices

Power bar (Optional)

If Power bars are requested, but not specified otherwise, Evans incorporates industrial grade power bars, (no suppression) for North America or International powerbars for overseas.

- UL Listed (1363), CSA Certified
- Several cord terminations are available, depending on application requirements.

Ventilation Fan (Optional)

Fans are available for mounting on the doors. The individual situation may dictate a change in the ventillation requirements. A console with a greater than normal amount of electronic equipment, or with equipment emitting a greater than normal levels of heat may require extra fan units. Please contact Evans Solutions Team for more information about your specific requirements.

General Fan Data – 3.62 in x 3.62 in x 1.0 in Brushless DC Fan

The transformer with plug adapts to 12 Volts DC (Voltage range: 7 – 15V), 1.3 Watts Brushless fan provides extremely quiet operation. It is manufactured with an Incorporated finger guard and is UL, CSA, VDE Listed / Approved. Fan output is 36 CFM @ 0.0in, 27 dBA.

6.0 Custom Options

The following are just some of the many options available to increase the functionality of your console solution. For more information and to determine your actual console requirements, please contact the Evans Solutions Team.

- Wire cable tray 6" custom option.
- Power and cable raceway.
- Plywood termination board.
- Surge protected power bars.
- Convenient duplex receptacle with cover plate.
- Worksurface return with support panel. (Fixed worksurfaces only)
- Worksurface return with painted metal support legs. (Fixed worksurfaces only)
- Worksurface return with fixed pedestal. (Fixed worksurfaces only)
- Undercounter keyboard drawers.
- Slide-out mouse trays for under-counter keyboard drawer (left or right side).
- Fixed metal turret housing.
- Mobile pedestal – available in different configurations
- Fixed pedestal – available in different configurations
- Articulating monitor arm.
- Upper-level articulating monitor arm (Double high option).
- Continuous tasklight option
- Tasklight by Jolt (Huron model).
- Letter tray (polystyrene)
- Letter tray (painted metal).
- Binder (polystyrene)
- Binder paddy (painted metal)
- Paper flow manager.
- Pen / pencil cup.
- Office tray for compartments for small office tools.
- 2 piece end-panels.
- Ventilation fans (panel mounted)
- Acoustic panels
- Architectural panels
- Fabric panels